



## Applications

The luminaire is ideal for efficient lighting of main roads, residential and industrial areas.

## Technical specification

The Lunalys luminaire allows for a high quality lighting solution without having to compromise on the aesthetic design. A high-efficiency photometric reflector is easy to maintain thanks to its IP66 optical assembly. Luminaire & ballast are supplied and tested by GE, ensuring the best possible product quality. GE lamps can be ordered separately.

### Structure and material

Housing in two pieces (gallery and canopy), die-cast aluminium with an oven cured polyester powder paint finish (RAL9006).

Mounting spigot suitable for horizontal and vertical mounting through Ø60mm diameter pole.

One unique latch included into the upper housing allowing an easy luminaire opening.

Stainless steel screws.

### Electrical and gear compartment

Placed into the lower housing and isolated from the environment with a protection degree IP44.

The gear tray is manufactured in galvanized sheet and mounted into the easily removable lower housing, electrical disconnection from the lamp with plug and socket. Ballast, ignitor and capacitor are mounted on this tray. The gear tray supports HPS ballast from 100W to 250W and Metal Halide (MH) from 150 to 250W.

We recommend tubular lamp for HPS and MH. In any other case please contact us.

### Optics

Optical assembly hermetically sealed providing IP66, comprising:

- Curved tempered glass sealed to the reflector with silicone.
- E40 ceramic lampholder. Multi-position support allowing lamp adjustment in a longitudinal direction for optimal light distribution.
- High purity aluminium reflector in one piece, finish achieved through anodizing process.
- Lamp holder assembly, high-temperature resistant. The lamp holder is mounted into the reflector through a compression silicone gasket ensuring excellent ingress protection.

### Maintenance

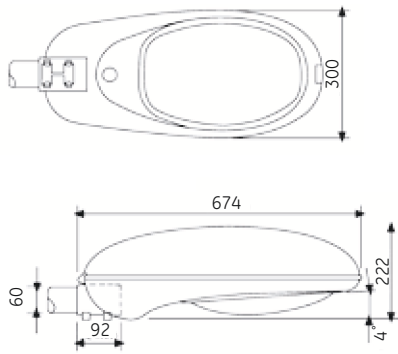
- Automatic electrical disconnection makes maintenance safer when opening the luminaire.
- Tool-less access to the optic block by opening the latch placed into the upper housing.
- Easy and quick lamp maintenance by manually removing the lamp holder support from the front of the luminaire.
- A "twist and lock" mechanism releases the lamp holder from the neck reflector.

### Accessories/options

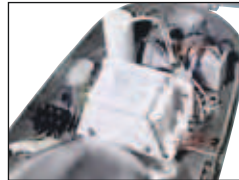
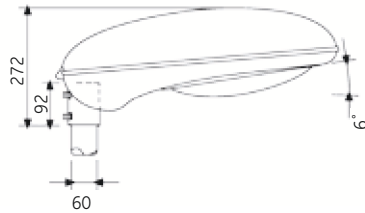
Die-cast aluminium tilting mounting device, side entry and post top mounting is 60mm, tilt in 5° steps horizontally and vertically.

- Electronic version up to 150W
- Bi-level magnetic ballast
- Class II electronic gear

Dimensions (mm)

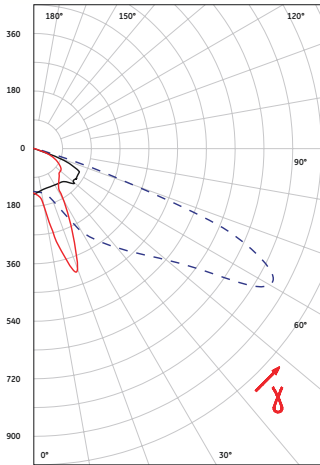


Structure



Photometric data

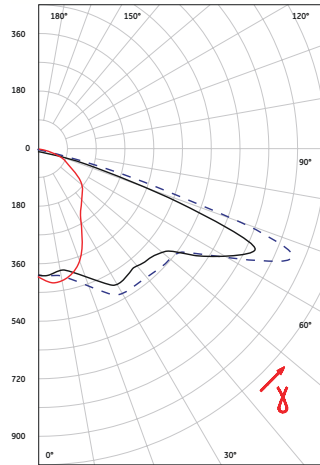
LUNALYS/CMH 250W  
POS. PORTA. FIJA



Intensity in the vertical plane, in candela per 1000 lumens

LONGITUDINAL ———  
TRANSVERSAL ———  
PRINCIPAL - - - - -

LUNALYS/V HPS 150W  
POS. PORTA. FIJA



Intensity in the vertical plane, in candela per 1000 lumens

LONGITUDINAL ———  
TRANSVERSAL ———  
PRINCIPAL - - - - -

LUNALYS

CEI 34.21 /EN 60598 – 50Hz – Class I (optional Class II) – IK08  
Optic IP66 – Control gear IP44  
Luminaire supplied without lamp

Description	Lamp	Product code
LUNALYS HPS 100	LU100/100/MO/T/40	96905
LUNALYS HPS 100 RC	LU100/100/MO/T/40	96906
LUNALYS HPS 150	LU150/100/40	96907
LUNALYS HPS 150 RC	LU150/100/40	96908
LUNALYS HPS 250	LU250/T/40	96909
LUNALYS HPS 250 RC	LU250/T/40	96910
LUNALYS CMH 150	CMH150/T/UVC/830/E40	96903
LUNALYS MH 250	CMH250/TT/UVC/U/830/E40	96904

Options: RC – Bi power system  
C2 – Class II  
EB – Electronic ballast