



StreetWise™



IBERIA PREMIUM GREY 150 SABLE IP66 IP44 IK10/08 9-12 KG



PASEO MARÍTIMO SANTOÑA, CANTABRIA, SPAIN

Application

Due to the different options and versatility it is suitable for all architectural and urban environments, also for regular roadway lighting.

Technical specification

The Iberia Premium range is used for outdoor decorative lighting. Thanks to its multiple lens types and shapes and the possibility of providing the support ring and the housing in different colours, it is possible to adapt the luminaire to different environments.

Luminaire & ballast are supplied and tested by GE, ensuring the best possible product quality. GE lamps can be ordered separately.

Structure and material

Die-cast aluminium central ring, elliptical die-cast aluminium housing fixed to the central ring with three screws for a perfect fit and seal and a hinged die-cast aluminium door that supports the optical assembly. The door includes two stainless steel screws for tool-less opening. Standard colour oxidon grey for the Iberia and grey 150 sable for Iberia Premium Fitting system that provides multiple configurations (see Accessories section).

Electrical and gear compartment

Placed into the lower housing and isolated from the environment with a protection degree IP44.

The ballast support board is manufactured in galvanized sheet, mounted into the central ring, easily removable. Ballast, ignitor and capacitor are mounted on this board.

Allowing tubular lamp mountings for HPS and Metal Halide up to 250W and Mercury Vapor up to 125W.

Optics

Optical assembly hermetically sealed providing IP66, comprising:

- Tempered glass or polycarbonate lens sealed to the door with silicone. The lens is mechanical and thermal shock resistant (IK8-10).
- Faceted aluminium reflector in one-piece, finish achieved through an anodizing process.
- E40 ceramic lamp-holder. Multi-position support allows lamp adjusting in longitudinal and vertical directions for optimal light distribution.
- Plastic reflector neck is high-temperature resistant. The lamp holder is mounted into the reflector neck through a silicone gasket to ensure a continuous seal.

Maintenance

Tool-less access to the ballast by unscrewing two knurled screws placed into the lower housing. Lamp and re-lamping access by removing the lamp holder manually and releasing the two latches.

Accessories/options

Wide range of mounting devices:

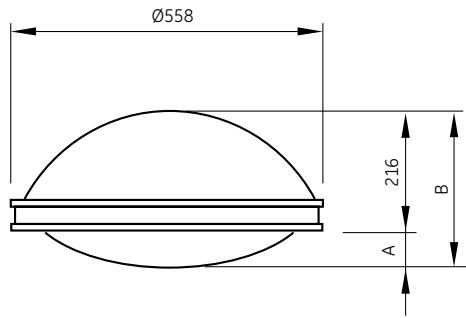
- Vertical tube mounting of Ø60 or 76mm. In easy assembly, single, double or triple.
- Vertical tube mounting of Ø60mm through yoke mounting. Incorporates one-piece yoke of die-cast aluminium with two brackets fitted to the support ring.
- Horizontal tube mounting of Ø60mm.
- Wall mounting.
- Optional Class II electronic gear.
- Electronic version up to 150W.
- Bi-level magnetic ballast.



NEW Iberia LED
See page 20

Dimensions (mm)

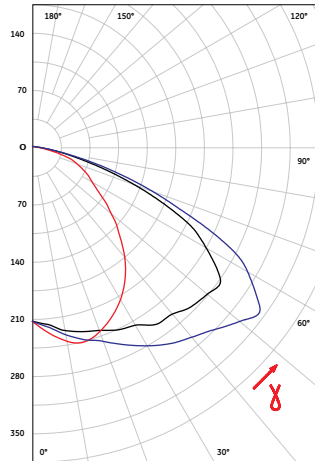
IBERIA PREMIUM



	SM/SC	EM/EC	DC	VC	VT
A (mm)	201	128	67	59	0
B (mm)	417	344	283	275	218

Photometric data

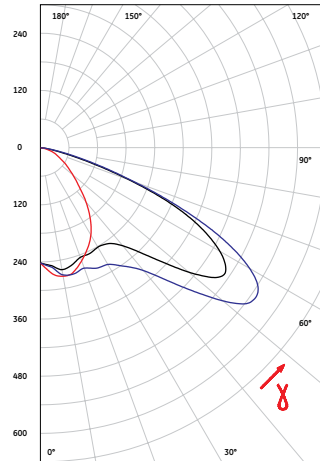
IBERIA/SM/MH125
POS. PORTA. 1A



Intensity in the vertical plane, in candela per 1000 lumens

LONGITUDINAL ———
TRANSVERSAL ———
PRINCIPAL ———

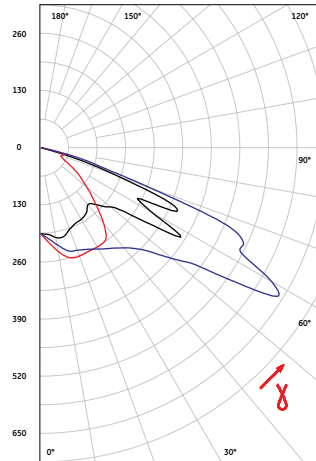
IBERIA/EM/VHPS70
POS. PORTA. 2A



Intensity in the vertical plane, in candela per 1000 lumens

LONGITUDINAL ———
TRANSVERSAL ———
PRINCIPAL ———

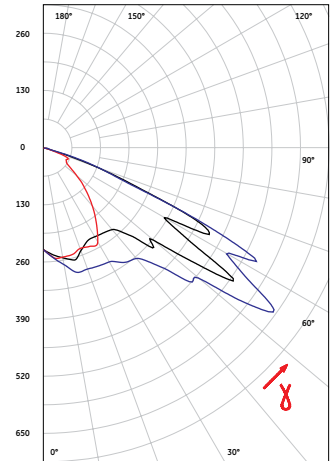
IBERIA/SC/VHPS150
POS. PORTA. 2A



Intensity in the vertical plane, in candela per 1000 lumens

LONGITUDINAL ———
TRANSVERSAL ———
PRINCIPAL ———

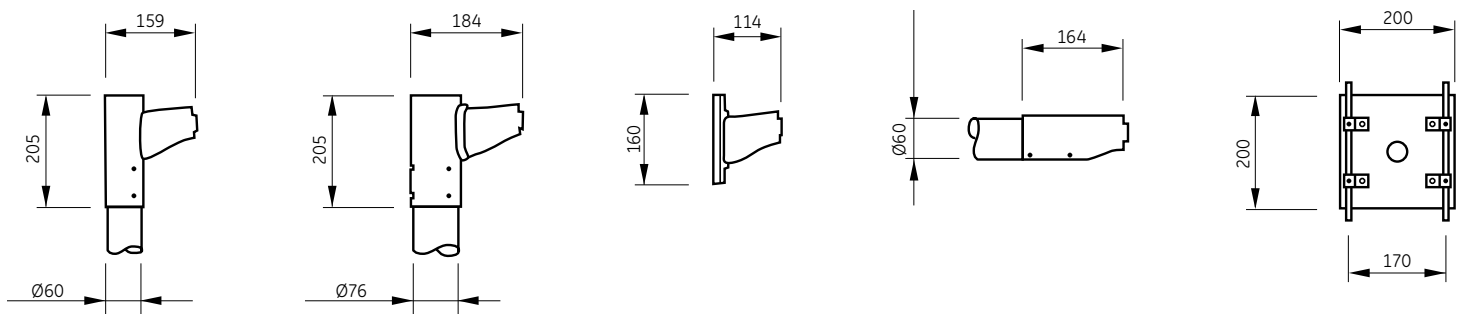
IBERIA/EC/VHPS250
POS. PORTA. 0A



Intensity in the vertical plane, in candela per 1000 lumens

LONGITUDINAL ———
TRANSVERSAL ———
PRINCIPAL ———

Dimensions (mm)



Housing

E. ELLIPTICAL



Lens

EC. PREMIUM CLEAR



VT. TEMPERED FLAT GLASS



EM. PREMIUM STIPPLED



VC. CURVED GLASS



Mounting devices



SP6
POST-TOP Ø 60



DP6
POST-TOP Ø 60
DOUBLE



TP6
POST-TOP Ø 60
TRIPLE



SP7
POST-TOP Ø 76



DP7
POST-TOP Ø 76
DOUBLE



TP7
POST-TOP Ø 76
TRIPLE



AT
POLE Ø 60



WM
WALL



P1
PENDANT 1"

IBERIA Premium

CEI 34.21 / EN 60598-1, IEC 60 – 230V 50Hz – Class I – IK10/08
Optic IP66 – Control gear IP44
Luminaire supplied without lamp

Description	Lamp	Product code
IBERIA PREMIUM VT HPS 70W	LU 70/90/MO/T/E27	519822
IBERIA PREMIUM VT HPS 100W	LU100/100/XO/T/40	519823
IBERIA PREMIUM VT HPS 150W	LU150/100/40	519824
IBERIA PREMIUM VT HPS 250W	LU250/T/40	519825
IBERIA PREMIUM VT CMH150 T U	CMH150/T/UVC/830/E40	519826
IBERIA PREMIUM VT CMH250 T U	CMH250/TT/UVC/U/830/E40	519827
IBERIA PREMIUM VC HPS 70W	LU 70/90/MO/T/E27	519828
IBERIA PREMIUM VC HPS 100W	LU100/100/XO/T/40	519829
IBERIA PREMIUM VC HPS 150W	LU150/100/40	519830
IBERIA PREMIUM VC HPS 250W	LU250/T/40	519831
IBERIA PREMIUM VC CMH150 T U	CMH150/T/UVC/830/E40	519832
IBERIA PREMIUM VC CMH250 T U	CMH250/TT/UVC/U/830/E40	519833

Options: RC – Bi power system
C2 – Class II
EB – Electronic ballast

IBERIA Spherical

Description	Lamp	Product code
IBERIA/E/SC HPS 100W	LU100/100/XO/T/40	87973
IBERIA/E/SC HPS 150W	LU150/100/40	87974
IBERIA/E/SC HPS 250W	LU250/T/40	87975
IBERIA/E/SM HPS 100W	LU100/100/XO/T/40	87979
IBERIA/E/SM HPS 150W	LU150/100/40	87980
IBERIA/E/SM HPS 250W	LU250/T/40	87981

IBERIA Accessories

Description	Product code
ACOP SP6 IBERIA PREMIUM	519834
ACOP SP7 IBERIA PREMIUM	519837
ACOP DP6 IBERIA PREMIUM	519835
ACOP DP7 IBERIA PREMIUM	519838
ACOP TP6 IBERIA PREMIUM	519836
ACOP TP7 IBERIA PREMIUM	519839
ACOP AT IBERIA PREMIUM	519840
ACOP WM IBERIA PREMIUM	519841
ACOP CT IBERIA/SYRA	87971
ACOP L IBERIA	87996

AVENIDA DE ENTREVÍAS, MADRID, SPAIN



CITY OF SUNDSWALL, SWEDEN

