

# DUNA PREMIUM



OXIDON LIGHT GREY

IP66

IP66

IK08/09

11-16 KG



PARQUE JUAN CARLOS I, PINTO, MADRID, SPAIN



## Application

The three different options available allow all applications in amenity lighting for city beautification.

## Technical specification

Duna is a range of luminaires for outdoor decorative lighting, using HPS and Metal Halide lamps.

Luminaire, ballast and lamp are supplied and tested by GE, ensuring continuity of product quality.

### Structure and material

Base: die-cast aluminum. Pole mounting device includes a PG-13,5 cable gland for a perfect seal.

Body: die-cast aluminum, with three decorative arms, and two rings.

Supports optical components and electrical gear compartment.

Standard colour: oxidon light grey.

Upper housing: one-piece spun aluminum.

### Electrical and gear compartment

The control gear is mounted on an easily removable universal tray. The gear tray support HPS and Metal Halide ballast up to 150W.

The luminaire includes a supply terminal board with electrical disconnection system once the fixture is opened.

Isolated from the environment with a protection degree IP66.

### Optical assembly

Optical assembly hermetically sealed providing IP66. Anti-vandal clear polycarbonate lens, together with one of the following configurations:

- AD: direct asymmetric distribution, with a high purity pressed aluminum reflector (99,85%) anodized and sealed. Minimum light emission towards the upper hemisphere.
- AD/VC RD: direct asymmetric distribution without polycarbonate lens, alternative to glass.
- SD: direct symmetric distribution, with a spun aluminum reflector, anodized and sealed.

### Maintenance

Relamping without tools once the luminaire is opened. Except in the AD version. Quick, easy and safe.

### Installation

Post-top mounting for Ø60mm diameter poles.

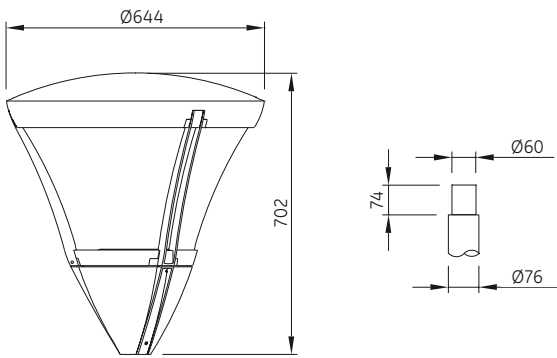
- Electronic version up to 150W
- Bi-level magnetic ballast
- Class II electronic gear



**NEW Duna LED**

See page 22

Dimensions (mm)



Types

DIRECT SYMMETRIC



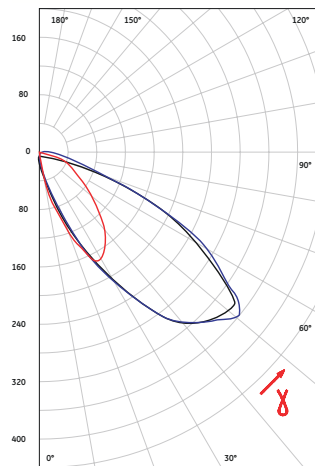
DIRECT ASYMMETRIC



FUENLABRADA, MADRID, SPAIN

Photometric data

DUNA PREMIUM/AD/VT/L/HPS70W  
POS. PORTA. FIJA



Intensity in the vertical plane, in candela per 1000 lumens

LONGITUDINAL ———  
TRANSVERSAL ———  
PRINCIPAL ———

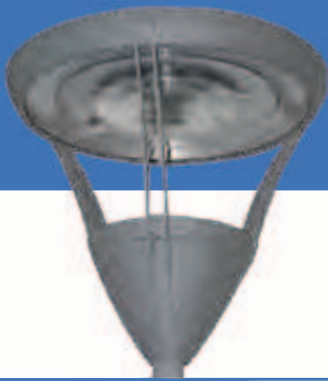
DUNA PREMIUM

CEI 34.21 / EN 60598-1, IEC 60 – 230V 50Hz – Class I – IK08/09  
Optic IP66 – Control gear IP66  
Luminaire supplied without lamp

| Description         | Lamp                 | Weight (kg) | Product code |
|---------------------|----------------------|-------------|--------------|
| DUNA AD HPS 70W     | LU 70/90/MO/T/E27    | 14.50       | 519860       |
| DUNA AD HPS 100W    | LU100/100/XO/T/40    | 15.00       | 519861       |
| DUNA AD HPS 150W    | LU150/100/40         | 16.00       | 519862       |
| DUNA AD CMH 150 T U | CMH150/T/UVC/830/E40 | 16.00       | 519863       |
| DUNA SD HPS 70W     | LU 70/90/MO/T/E27    | 14.50       | 519864       |
| DUNA SD HPS 100W    | LU100/100/XO/T/40    | 15.00       | 519865       |
| DUNA SD HPS 150W    | LU150/100/40         | 16.00       | 519866       |
| DUNA SD CMH 150 T U | CMH150/T/UVC/830/E40 | 16.00       | 519867       |

Optics: AD – direct asymmetrical  
SD – direct symmetrical

Options: RC – Bi power system  
C2 – Class II  
EB – Electronic ballast



OXIDON GREY

IP65

IP65

IK10

12-17 KG



## Application

Perfect combination between aesthetics and functionality, makes the luminaire ideal for efficient lighting of residential areas, parks and gardens, commercial centres, pedestrian walkways, squares, etc.

## Technical specification

Duna LED is a decorative luminaire of truncated cone design using LED technology up to 90W with symmetrical and asymmetrical distribution.

### Structure and material

- Base: die cast aluminium. Pole mounting device includes a PG-13.5 cable gland for a perfect seal.
- Body: die cast aluminium, with three decorative arms and two rings. Standard colour: grey oxidon.
- Upper housing: one-piece spun aluminium.

### Electrical and gear compartment

The control gear is mounted on an removable universal tray. The luminaire includes a supply terminal board with electrical disconnection system once the fixture is opened. Isolated from the environment with a protection degree IP65.

### Optics

Optical assembly hermetically sealed providing IP65. Thanks to the advance LED optical systems, the fixture provides high uniformity and improved vertical light distribution.

- Type III: asymmetric distribution (street type) – 90W system consumption
  - Type IV: asymmetric distribution – 63W system consumption
  - Type V: symmetric distribution – 90W system consumption
- CRI 65, CCT 4100 and 5700 Kelvin.

### Maintenance

50.000 hours rated LED life, L85 for low maintenance.

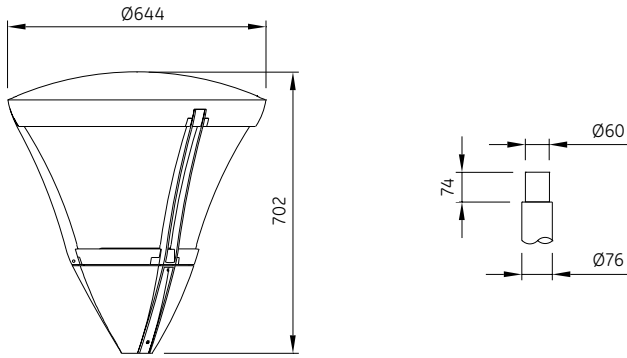
### Installation

Post-top mounting for 60mm diameter poles.



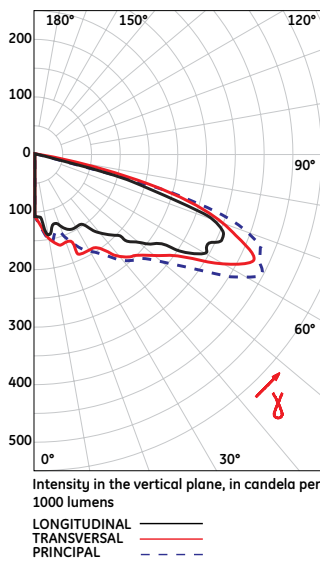
See page 56 for other  
Duna lighting solutions

Dimensions (mm)

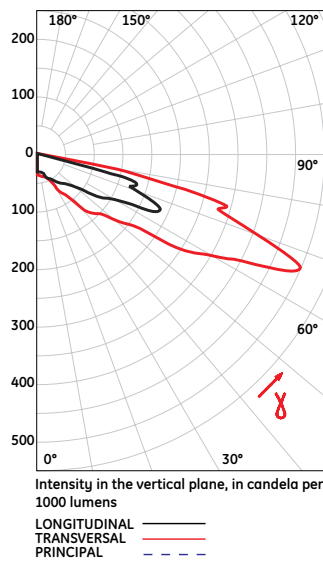


Photometric data

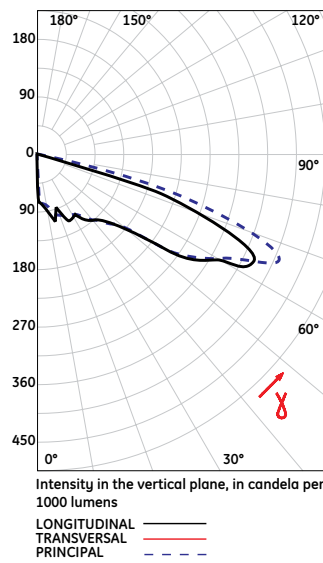
TYPE III



TYPE IV.



TYPE V



DUNA LED

CEI 34.21 / EN 60598-1, IEC 60 – 230V 50Hz – Class I – IK10  
 Optic IP65 – Control gear IP65  
 Luminaire supplied complete with LED

| Wattage (W)                               | Optics   |                                       |
|---|----------|---------------------------------------|
| Post-top mounting for 60mm diameter poles |          |                                       |
| 90  | Type III | ASYMMETRIC DISTRIBUTION (STREET TYPE) |
| 63  | Type IV  | ASYMMETRIC DISTRIBUTION               |
| 90  | Type V   | SYMMETRIC DISTRIBUTION                |